

# HemoCue® HbA1c 501

- ▶ Easy
- ▶ Reliable
- ▶ Safe



## Designed to work for how you work

HemoCue HbA1c 501 is a fully automated point-of-care system that's not only easy to use, but every element – from its size to the storing and handling of cartridges – is thought through to be ideally suited for how you work.

Rigorously tested according to HemoCue principles, and with automatic checks and calibrations built into the system, you can count on getting the right answer at the right time – every time.

So you won't miss a beat in caring for your patients.



To learn more about HemoCue® HbA1c 501, please scan the quick response code with your smartphone or visit [hemocue.com](http://hemocue.com)

### Makes your whole process easier and more efficient

- ▶ Only a few simple steps with clear instructions onscreen
- ▶ All-in-one, individually packaged cartridge kits
- ▶ Convenient room-temperature storage up to 12 months

### Ensures you'll never have to doubt an answer at the point of care

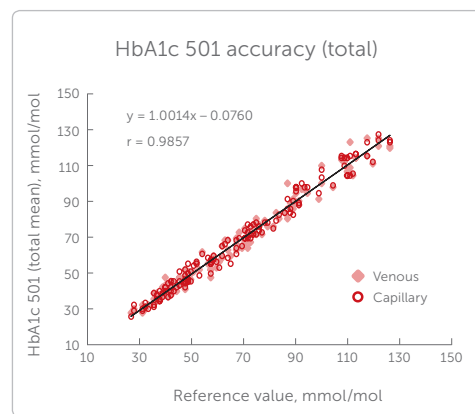
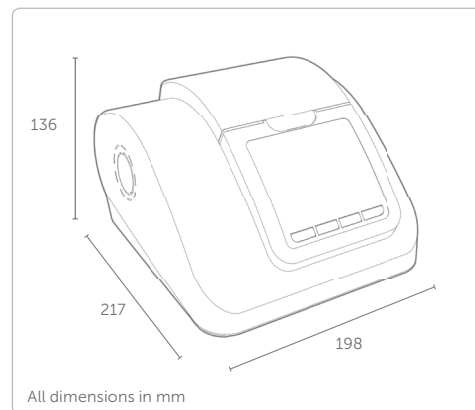
- ▶ Interference-free method unaffected by Hb variants
- ▶ IFCC and NGSP certified
- ▶ Precise, fixed calibration by factory

### Provides a safe workflow for excellent patient care

- ▶ Automatic cartridge calibration
- ▶ Barcode reader for patient and operator ID available
- ▶ Connectable

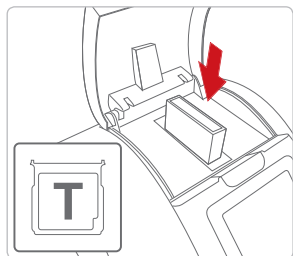
# HemoCue® HbA1c 501

Type	HbA1c analyzer
Sample type	Capillary whole blood, Venous blood with anticoagulant
Sample volume	4 µL
Measuring range	20–130 mmol/mol (IFCC), 4.0–14.0 % (NGSP)
Reading time	5 minutes
Memory capacity	200 test results
Operating temp.	17–32 °C (63–90 °F)
Storage temp.	10–35 °C (50–95 °F)
Relative humidity range	10%–90 %
LCD	TFT-LCD (320 × 240)
Dimensions	198 × 217 × 136 millimeters
Weight	1600 g
Power source	9 V DC / 1.5 A
Connections	DC 9V adaptor port USB port Barcode Scanner port Thermal Printer port & PC Connection Port (RS 232)
Options	Thermal printer for printing support. Barcode scanner for scanning patient ID and operator ID. PC application for transfer of data to computer.

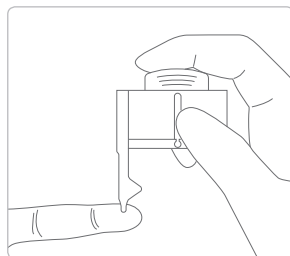


Regression plot of total mean values for venous and capillary blood for HemoCue HbA1c 501 versus Tosoh G7.

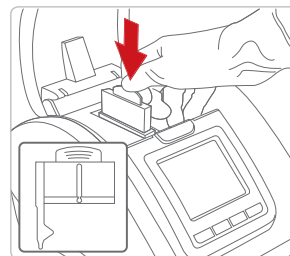
## A few simple steps



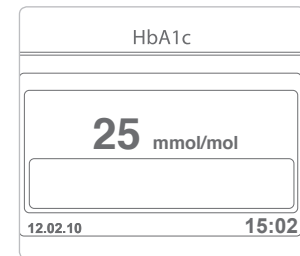
**1** Insert the cartridge into the cartridge compartment.



**2** Prepare and apply the reagent pack to the specimen. The correct volume is drawn in by capillary action.



**3** Insert the reagent pack into the cartridge. (No need to wipe the reagent pack.)



**4** The lab-quality result is displayed automatically.

Sales representative

HemoCue® has been a leader in Point of Care medical diagnostics for over 30 years. We specialize in giving healthcare providers tests that deliver fast results with the precision expected of a central clinical lab.

HemoCue® AB, Box 1204, 262 23 Ängelholm, Telephone +46 77 570 02 10, Fax +46 77 570 02 12, [www.hemocue.com](http://www.hemocue.com)

